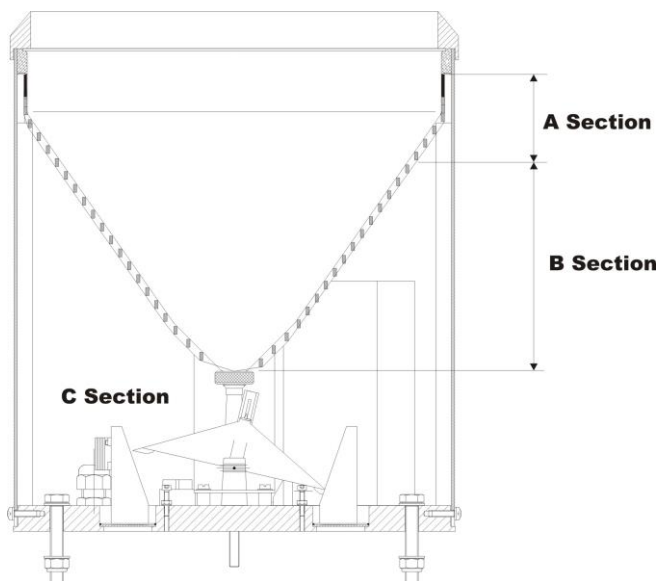


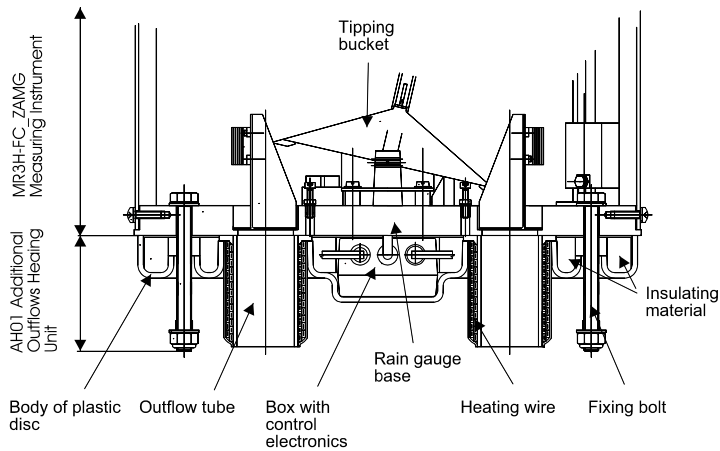
MR3H-FC (MR3H-F) Rain Gauge

Basic Characteristics:

- ◆ measuring principle – „divided tipping bucket“
- ◆ rain gauge with advanced heating system is intended for liquid and solid precipitation measurement
- ◆ pulse output
- ◆ **output data correction according rainfall intensity is implemented direct to rain gauge electronics (MR3H-F version is without correction)**
- ◆ inner space of bucket is coated by titanium layer and exposed to accelerated weathering.



- ◆ rain gauge heating system is controlled by a microprocessor proportionally according to the outer temperature in three independent sections
- ◆ short-period “shock heating” of the catching aperture collar supports the true measuring of a solid precipitation
- ◆ rain gauge can be optionally equipped with AH-01 additional outflows heating unit for extreme winter conditions



A View on Rain Gauge Base with AH01 Additional Heating Unit – sectional view

Bottom View on Rain Gauge with AH01 Unit

MR3H-FC (MR3H-F) Technical Data	
Catching area diameter	252.3 mm
Catching area	500 cm ²
Sensitivity (amount of precipitation per one tipping)	0.1 mm
* MR3H-F Accuracy - max. error at rainfall intensity to 30 mm / hour - max. error at rainfall intensity to 100 mm / hour - max. error at rainfall intensity to 200 mm / hour	under - 2 % of the measured amount under - 10 % of the measured amount under - 15 % of the measured amount
MR3H-FC Accuracy * in range of intensity 0..400 mm/hour	under ± 2 % of the measured amount
Output	1. the "raw" pulses from the reed contact 2. modified 5 V pulses with a constant length of 100 ms in MR3H-FC version - correction of this output according to rainfall intensity
Voltage supply for the electronics	12 V DC (max. 18 V DC)
Input of the electronics	at 18 VDC max. 38 mA
Voltage for heating	36 - 46 V AC (recommended) In using the voltage under 36 V AC the heating output is reduced
Maximal momentary possible heating output (at 46 V AC)	without additional outflows heating unit ... 445W with AH-01 additional outflows heating unit ... 555W
Dimensions (height x diameter)	336 mm x 278 mm
Operating temperature	-30 .. + 60 °C (optionally - 40 .. + 60 °C)
Dimension of the two fixing bolts	M8 x 50
Weight	5.1 kg

* Above mentioned accuracy is valid for liquid precipitation only and for rain gauges with Calibration Certificate by METEOSERVIS v.o.s.